



Heating and Air Conditioning

TECHNICAL GUIDE

STELLAR PLUS™
SPLIT-SYSTEM AIR CONDITIONERS
12 SEER
MODELS:
H4DH018 THRU 060
(1.5 THRU 5 NOMINAL TONS)



This product was manufactured in a plant whose quality system is certified/registered as being in conformity with ISO 9001.



Certification applies only when the complete system is listed with ARI.



Due to continuous product improvement, specifications are subject to change without notice.

Visit us on the web at www.york.com for the most up-to-date technical information.

Additional rating information can be found at www.ariprimer.net.org.

DESCRIPTION

The HDH Series condensing unit is the outdoor part of a versatile system of air conditioning. It is designed to be custom-matched with one of York's complete line of evaporator sections, each designed to serve a specific function. Matching Air Handlers are available for upflow, downflow or horizontal application to provide a complete system. Electric heaters are available if required. Add-On coils are available for use with upflow, downflow or horizontal furnaces.

WARRANTY

5-year limited parts warranty.

10-year limited compressor warranty.

FEATURES

- **QUALITY CONDENSER COILS** - The coil is constructed of enhanced copper tube and aluminum fins.
- **COIL PROTECTION** - Coils are protected from damage by a polymer mesh applied between the coil face, and a PVC coated steel coil guard.
- **PROTECTED COMPRESSOR** - The compressor is internally protected against high pressure and temperature. This is accomplished by the simultaneous operation of high pressure relief valve and a temperature sensor which protects the compressor if undesirable operating conditions occur.
- **DURABLE FINISH** - Cabinet is made of powder painted steel over pre-primed steel. The pre-treated galvanized steel provides a better paint to steel bond, which resists corrosion and rust creep. Special primer formulas and automotive quality finish insure less fading when exposed to sunlight.
- **LOWER INSTALLED COST** - Installation time and costs are reduced by easy power and control wiring connections. Hard start kits are available for non-scroll models. All units contain enough refrigerant for a matching indoor coil and 15 feet of interconnecting piping. The small base dimension means less space is required on the ground or roof.
- **TOP DISCHARGE** - The warm air from the top mounted fan is blown up away from the structure and any landscaping. This allows compact location on multi-unit applications.
- **LOW OPERATING SOUND LEVEL** - The upward air flow carries the normal operating noise up away from the living area. The rigid top panel effectively isolates any motor sound. Isolator mounted compressor and the rippled fins of the condenser coil muffle the normal fan motor and compressor operating sounds.
- **LOW MAINTENANCE** - Long life permanently lubricated motor bearings need no annual servicing.
- **EASY SERVICE ACCESS** - Fully exposed refrigerant connections and a single panel covering the electrical controls make servicing easy.
- **SECURED SERVICE VALVES** - Provided on both the liquid and vapor sweat connections for ease of evacuating and charging.
- **U.L. and C.U.L. listed** - approved for outdoor application.

Certified in accordance with the Unitary Small Equipment certification program, which is based on ARI Standard 210/240.

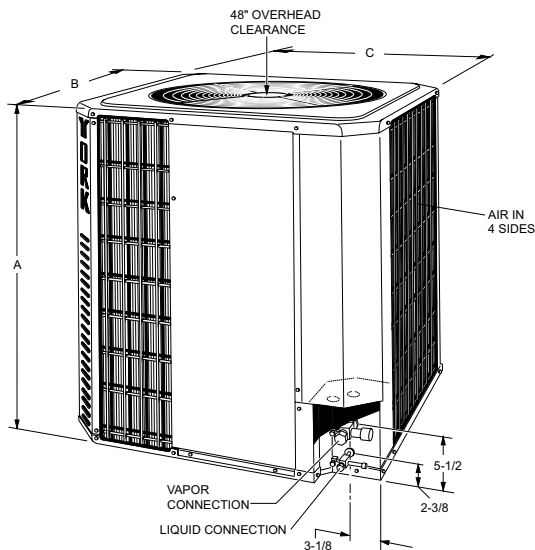
FOR DISTRIBUTION USE ONLY - NOT TO BE USED AT POINT OF RETAIL SALE

Physical and Electrical Data

MODEL		H4DH018S06	H4DH024S06	H4DH030S06	H4DH036S06	H4DH042S06	H4DH048S06	H4DH060S06
Unit Supply Voltage		208/230 – 1 – 60						
Normal Voltage Range ¹		187 to 252						
Minimum Circuit Ampacity		10.1	12.1	18.5	22.0	25.2	31.6	37.4
Max. Overcurrent Device Amps ²		15	20	30	35	40	50	55
Compressor Type ³		Recip	Inertia	Scroll ^B	Scroll ^B	Scroll ^B	Scroll ^B	Scroll ^C
Compressor Amps	Rated Load	7.7	9.3	14.1	16.6	19.2	24.3	28.8
	Locked Rotor	48	57	78	98	105	150	169
Crankcase Heater		No	Yes	No	No	No	No	No
Fan Motor Amps	Rated Load	0.5	0.5	0.9	1.2	1.2	1.2	1.4
Fan Diameter Inches		18	18	18	24	24	24	24
Fan Motor	Rated HP	1/12	1/12	1/8	1/4	1/4	1/4	1/3
	Nominal RPM	1100	1100	1075	850	850	850	1100
	Nominal CFM	1500	1500	2050	3100	3100	3100	4100
Coil	Face Area Sq. Ft.	14.1	14.1	14.1	20	20	24	24
	Rows Deep	1	1	1	1	1	1	1
	Fin / Inches	20	20	20	18	18	20	20
Liquid Line OD		3/8	3/8	3/8	3/8	3/8	3/8	3/8
Vapor Line OD		5/8	3/4	3/4	3/4	7/8	7/8	7/8
Unit Charge (Lbs. - Oz.) ⁴		4 - 14	5 - 1	5 - 4	5 - 15	6 - 12	8 - 10	7 - 13
Charge Per Foot, Oz.		0.68	0.68	0.68	0.68	0.70	0.70	0.70
Operating Weight Lbs.		144	154	148	225	230	235	243

1. Rated in accordance with ARI Standard 110, utilization range "A".
2. Dual element fuses or HACR circuit breaker.
3. All scrolls listed with a superscript "B" are Bristol scrolls. All scrolls listed with a superscript "C" are Copeland scrolls.
4. The Unit Charge is correct for the outdoor unit, matched indoor coil and 15 feet of refrigerant tubing. For tubing lengths other than 15 feet, add or subtract the amount of refrigerant, using the difference in length multiplied by the per foot valve.

All dimensions are in inches. They are subject to change without notice. Certified dimensions will be provided upon request.



UNIT MODEL HDH	DIMENSIONS (INCHES)			REFRIGERANT CONNECTION LINE SIZE	
	A	B	C	Liquid	Vapor
018	30-1/8	24	24	3/8	5/8
024	30-1/8	24	24		3/4
030	30-1/8	24	24		
036	31-7/8	35	35		
042	31-7/8	35	35	7/8	
048	37-7/8	35	35		
060	37-7/8	35	35		

Additional R-22 Charge / Orifice Size for Various Matched Systems

ADDITIONAL R-22 CHARGE / ORIFICE SIZE FOR VARIOUS MATCHED SYSTEMS							
Outdoor Unit	H4DH018S06	H4DH024S06	H4DH030S06	H4DH036S06	H4DH042S06	H4DH048S06	H4DH060S06
Unit Orifice (s) ¹	55, 57	61, 63	69, 71	75, 78	75, 78	87, 90	99
Factory R-22 Charge, lbs-oz	4 - 14	5 - 1	5 - 4	5 - 15	6 - 12	8 - 10	7 - 13
Indoor Coil	Coil Orifice ²	System Orifice = Additional Charge, Oz					
G2FD024(S,H)14,17	61	57 + 6	63 + 2	—	—	—	—
G2FD030(S,H)17	65	57 + 8	63 + 4	69 + 0 701 ³ + 0	—	—	—
G2FD035(S,H)14	65	57 + 8	63 + 4	69 + 3	75 + 0	—	—
G2FD036(S,H)17,21	75	—	63 + 8	69 + 3	75 + 10	—	—
G2FD042(S,H)21	78	—	—	—	75 + 13	75 + 5	—
G2FD046(S,H)17	78	—	—	71 + 6	75 + 13	75 + 5	87 + 0
G2FD048(S,H)21,24	84	—	—	71 + 7	75 + 24/702 ³ + 24	75 + 20	87 + 8
G2FD060(S,H)24	90	—	—	—	—	78 + 15	90 + 10/703 ³ + 10
G2FD061(H)24	90	—	—	—	—	—	90 + 21 703 ³ + 5
G1HD024	59	55 + 7	63 + 3	—	—	—	—
G1HD036	69	—	63 + 10	69 + 3	75 + 18	—	—
G1HD048	84	—	—	—	78 + 22	75 + 14	87 + 1
G1HD060	96	—	—	—	—	—	90 + 5 99 + 9
G1UA024S14,17	59	57 + 4	61 + 0	—	—	—	—
GIFA024S14,17	59	57 + 4	61 + 0	—	—	—	—
G1UA030S14	65	57 + 6	63 + 2	701 ³ + 0	—	—	—
GIFA030S14	65	57 + 6	63 + 2	701 ³ + 0	—	—	—
G1UA036S14,17,21	73	55 + 8	63 + 2	69 + 3	75 + 0	—	—
GIFA036S14,17,21	73	55 + 8	63 + 2	69 + 3	75 + 0	—	—
G1UA048S17	84	—	—	71 + 6	78 + 20	75 + 15	87 + 7
GIFA048S17	84	—	—	71 + 6	78 + 20	75 + 15	87 + 7
G1UA048S21	84	—	—	71 + 6	78 + 20/702 ³ + 20	75 + 19	87 + 7
GIFA048S21	84	—	—	71 + 6	78 + 20/702 ³ + 20	75 + 19	87 + 7
G1UA060S21,24	90	—	—	—	—	78 + 16	90 + 10/703 ³ + 15
GIFA060S21,24	90	—	—	—	—	78 + 16	90 + 10/703 ³ + 15
G1NA030S17H	57	57 + 6	—	—	—	—	—
G1NA030S17K	63	—	65 + 6	69 + 0	—	—	—
G1NA036S17J	67	—	—	—	75 + 6	—	—
G1NA048S21D	78	—	—	—	702 ³ + 15	75 + 12	87 + 3
F2RC/F2FC024	61	55 + 4	63 + 0	—	—	—	—
F2RC/F2FC030	65	—	63 + 4	69 + 0	—	—	—
F2RC/F2FC036	73	—	—	73 + 3	78 + 12	—	—
F2RP/F2FP018	59	55 + 0	—	—	—	—	—
F2RP/F2FP024	61	55 + 6	61 + 0	—	—	—	—
F2RP/F2FP030	65	—	63 + 4	69 + 0/701 ³ + 0	—	—	—
F2RP/F2FP036	75	—	—	71 + 3	78 + 12	—	—
F2FP040	63	—	701 ³ + 14	71 + 6	—	—	—
F2RP/F2FP042	78	—	—	—	78 + 14	75 + 8	—
F2FP045	78	—	—	—	702 ³ + 28	78 + 20	—
F2RP/F2FP048	84	—	—	—	78 + 23	75 + 16	87 + 7
F2RP/F2FP060	90	—	—	—	—	—	90 + 10 99 + 13/703 ³ + 13
F2FV060	90	—	—	—	—	—	90 + 10 703 ³ + 0

Footnotes:

1. These orifices are packed in the customer packet of each outdoor unit.
2. These orifices are factory mounted in the flow control device of each indoor coil.
3. A TXV Kit must be used with these units to obtain system performance (701,702,703 indicates 1TV07...Series).

Procedures:

1. Unit factory charge listed on the unit nameplate includes refrigerant for the condenser, the smallest evaporator and for 15 feet of interconnecting line tubing.
2. Verify the orifice size and additional charge required for specific evaporator coil in the system using the above table.
3. Additional charge for the amount of interconnecting line tubing greater than 15 feet at the rate specified in the table above.
4. Permanently mark the unit nameplate with the total system charge. Total System Charge = Base Charge (as shipped) + adder for evaporator + adder for line set.
5. If the orifice in the evaporator was changed, verify the evaporator nameplate has been marked with the correct orifice size.
6. Due to serial compressor, hard start components are not required when using coils with TXV or solenoid valve kits.

COOLING CAPACITY - With Air Handler Coils

UNIT MODEL	AIR HANDLER			COIL ¹ MODEL	COOLING					
	MODEL	ELECTRIC ² HEAT KW	W		RATED CFM	NET MBH		SEER W/O TXV	SEER + TXV ³	EER
						TOTAL	SENS.			
1 PH 12 SEER AC / N1AH + G2FD										
H4DH018S06	N1AHB0806	2,5,8,10	17	G2FD024(S,H)17	650	18.6	14.0	12.50	-	10.80
	N1AHB0806	2,5,8,10	17	G2FD030(S,H)17	650	19.0	14.3	12.50	-	10.80
H4DH024S06	N1AHB0806	2,5,8,10	17	G2FD024(S,H)17	850	23.4	17.6	12.10	-	10.90
	N1AHB0806	2,5,8,10	17	G2FD030(S,H)17	850	23.4	17.6	12.00	-	10.90
H4DH030S06	N1AHB1206	5,8,10,15,19	17	G2FD030(S,H)17	1030	29.4	22.1	-	12.40	10.50
	N1AHB1206	5,8,10,15,19	17	G2FD036(S,H)17	1030	30.0	22.5	12.40	-	10.60
H4DH036S06	N1AHB1206	5,8,10,15,19	17	G2FD036(S,H)17	1200	35.8	26.5	12.15	-	11.20
	N1AHB1206	5,8,10,15,19	17	G2FD046(S,H)17	1200	36.2	26.8	12.30	-	11.20
	N1AHD1406	5,8,10,15,19	24	G2FD048(S,H)24	1200	38.0	28.1	13.50	-	12.05
	N1AHD1406	5,8,10,15,19	24	G2FD060(S,H)24	1200	38.5	28.5	13.70	-	12.20
H4DH042S06	N1AHC1606	5,8,10,15,20	21	G2FD042(S,H)21	1400	40.5	30.4	12.00	-	10.60
	N1AHC1606	5,8,10,15,20	21	G2FD048(S,H)21	1400	42.0	31.5	12.35	-	10.90
H4DH048S06	N1AHC1606	5,8,10,15,20	21	G2FD048(S,H)21	1600	48.5	36.4	12.35	-	11.15
	N1AHD2006	8,10,15,20,25,30	24	G2FD048(S,H)24	1600	50.0	37.5	12.50	13.00	11.45
H4DH060S06	N1AHD2006	8,10,15,20,25,30	24	G2FD060(S,H)24	1800	58.5	43.9	12.00	12.50	11.05
	N1AHD2006	8,10,15,20,25,30	24	G2FD061H24	2000	60.0	45.0	12.50	12.50	11.25
1 PH 12 SEER AC / N1VS - VARIABLE SPEED										
H4DH018S06	N1VSB12	10,15,18	17	G2FD024(S,H)17	650	20.0	15.0	-	13.50	11.20
H4DH024S06	N1VSB12	10,15,18	17	G2FD024(S,H)17	850	24.4	18.3	13.50	-	12.10
	N1VSB12	10,15,18	17	G2FD036(S,H)17	860	24.6	18.5	13.55	-	12.10
H4DH030S06	N1VSB12	10,15,18	17	G2FD036(S,H)17	1030	31.0	23.3	13.40	-	11.30
	N1VSB12	10,15,18	17	G2FD046(S,H)17	1000	32.6	22.8	13.50	-	11.50
H4DH036S06	N1VSB12	10,15,18	17	G2FD036(S,H)17	1200	35.6	26.7	13.10	-	12.05
	N1VSC16	10,15,18	21	G2FD048(S,H)21	1200	38.0	28.5	14.10	-	12.55
H4DH042S06	N1VSC16	10,15,18	21	G2FD048(S,H)21	1380	42.5	31.9	13.35	-	11.70
H4DH048S06	N1VSC16	10,15,18	21	G2FD048(S,H)21	1590	49.0	36.8	13.00	-	11.70
	N1VSD20	10,15,18,30	24	G2FD060(S,H)24	1600	50.5	37.9	13.10	-	11.90
H4DH060S06	N1VSD20	10,15,18,30	24	G2FD060(S,H)24	1780	59.0	44.3	12.40	-	11.40
	N1VSD20	10,15,18,30	24	G2FD061H24	1780	60.5	45.4	-	13.00	11.80
1 PH 12 SEER AC / F2RP / RC / FP / FC / FV^{4,5}										
H4DH018S06	F2RC/FC024	5,8,10	18	-	650	18.6	14.0	12.20	-	10.90
	F2RP/FP018	2,5,8	18	-	650	18.0	13.5	12.00	-	10.70
	F2RP/FP024	5,8,10	18	-	650	18.6	14.0	12.50	-	11.00
H4DH024S06	F2RC/FC024	5,8,10	18	-	850	23.0	17.3	12.00	-	10.80
	F2RC/FC030	5,8,10,15	18	-	850	23.4	17.6	12.00	-	10.90
	F2RP/FP024	5,8,10	18	-	850	24.0	18.0	12.10	-	10.90
	F2RP/FP030	5,8,10,15	18	-	850	24.4	18.3	12.00	-	10.80
H4DH030S06	F2FP040	5,8,10,15	21	-	850	24.8	18.6	-	12.70	11.30
	F2RC/FC030	5,8,10,15	18	-	1030	28.4	21.3	12.00	-	10.50
	F2RP/FP030	5,8,10,15	18	-	1030	30.0	22.5	12.30	12.50	10.50
	F2RP/FP036	5,8,10,15,19	21	-	1030	31.0	23.3	12.50	-	10.60
	F2FP048	5,8,10,15,20,25	24	-	1030	31.4	23.6	12.60	-	10.70
H4DH036S06	F2RC/FC036	5,8,10,15	21	-	1200	35.6	26.7	12.35	-	11.10
	F2RP/FP036	5,8,10,15,19	21	-	1200	36.2	27.2	12.50	-	11.45
	F2RP/FP042	5,8,10,15	21	-	1200	36.4	27.3	12.50	-	11.50
	F2FP045	5,8,10,15	24	-	1200	38.0	28.5	-	13.50	12.20
	F2FP048	5,8,10,15,20,25	24	-	1200	36.8	27.6	12.80	-	11.80
H4DH042S06	F2RP/FP042	5,8,10,15	21	-	1400	40.5	30.4	12.00	-	10.50
	F2FP045	5,8,10,15	24	-	1400	42.5	31.9	13.00	-	11.20
	F2FP048	5,8,10,15,20,25	24	-	1400	41.5	31.1	12.20	-	10.65
H4DH048S06	F2FP048	5,8,10,15,20,25	24	-	1600	48.0	36.0	12.00	-	11.00
	F2FP060	5,8,10,15,20,25	24	-	1600	49.0	36.8	12.30	-	10.95
	F2FV060	8,10,15,20,25	24	-	1600	50.5	37.9	13.10	-	11.90
H4DH060S06	F2FP060	5,8,10,15,20,25	24	-	1900	59.0	44.3	12.00	-	10.90
	F2FV060	8,10,15,20,25	24	-	1780	59.0	44.3	-	12.40	11.40

Rated in accordance with DOE test procedures (Federal Register 12-27-79 and 3-18-88) and ARI Standards 210.
 Cooling MBH based on 80°F entering air temperature, 50% RH, and rated air flow.
 EER (Energy Efficiency Ratio) is the total cooling output in BTU's at a 95°F outdoor ambient divided by the total electric power in watt-hours at those conditions.
 SEER (Seasonal Energy Efficiency Ratio) is the total cooling output in BTU's during a normal annual usage period for cooling divided by the total electric power input in watt-hours during the same period.

- G2FD coils available with a factory installed horizontal drain pan. See price pages for specific model number.
- Single phase units require single phase 2HK heaters.
- TXV = Use 1TV700 Series Kit.
- To meet R=4.2 insulation requirements, substitute F2FP for F2RP, and F2FC for F2RC. models. All ratings remain the same.
- FG8, FG9, and FL8 furnaces and F2RP / F2RC air handlers have B.O.D (Blower on Delay) standard.
 - = Not applicable

COOLING CAPACITY - Upflow, Downflow, & Horizontal Furnaces and Coils*

UNIT MODEL	FURNACE**		COIL MODEL	COOLING					
	CFM RANGE (MIN.-MAX.)	W		RATED CFM	NET MBH		SEER W/O TXV	SEER + TXV ¹	EER
					TOTAL	SENS.			
H4DH018S06	575 725	14,17	G1FA024S14,17	650	18.2	13.7	12.20	-	10.60
		14	G1FA030S14	650	18.8	14.1	12.50	-	10.70
		14	G1FA036S14	650	19.2	14.4	12.60	-	10.80
		17,21	G1FA036S17,21	650	19.4	14.6	12.60	-	10.80
		-	G1HD024	650	18.6	14.0	12.00	-	10.60
		17	G1NA030S17H	650	18.8	14.1	12.70	-	12.10
		14,17	G1UA024S14,17	650	18.2	13.7	12.20	-	10.60
		14	G1UA030S14	650	18.8	14.1	12.50	-	10.70
		14	G1UA036S14	650	19.2	14.4	12.60	-	10.80
		17,21	G1UA036S17,21	650	19.4	14.6	12.60	-	10.80
		14,17	G2FD024(S,H)14,17	650	18.6	14.0	12.50	-	10.80
		17	G2FD030(S,H)17	650	19.0	14.3	12.50	-	10.80
		14	G2FD035(S,H)14	650	19.2	14.4	12.60	-	10.90
H4DH024S06	750 950	14,17	G1FA024S14,17	850	23.4	17.6	12.00	-	10.80
		14	G1FA030S14	850	23.4	17.6	12.10	-	10.90
		14	G1FA036S14	850	24.0	18.0	12.00	-	10.80
		17,21	G1FA036S17,21	850	24.0	18.0	12.00	-	10.90
		-	G1HD024	850	23.4	17.6	12.00	-	10.70
		-	G1HD036	850	24.0	18.0	12.10	-	10.90
		17	G1NA030S17H	850	24.0	18.0	12.40	-	11.10
		14,17	G1UA024S14,17	850	23.4	17.6	12.00	-	10.80
		14	G1UA030S14	850	23.4	17.6	12.10	-	10.90
		14	G1UA036S14	850	24.0	18.0	12.00	-	10.80
		17,21	G1UA036S17,21	850	24.0	18.0	12.00	-	10.90
		14,17	G2FD024(S,H)14,17	850	23.4	17.6	12.10	-	10.90
		17	G2FD030(S,H)17	850	23.4	17.6	12.00	-	10.90
14	G2FD035(S,H)14	850	23.4	17.6	12.00	-	10.80		
17	G2FD036(S,H)17	850	24.0	18.0	-	12.10	10.90		
H4DH030S06	900 1150	14	G1FA030S14	1030	29.0	21.8	-	12.00	10.30
		17,21	G1FA036S17,21	1030	30.4	22.8	12.10	-	10.40
		17	G1FA048S17	1030	31.4	23.6	12.60	-	10.70
		21,24	G1FA048S21	1030	31.4	23.6	12.60	-	10.70
		-	G1HD036	1030	30.0	22.5	12.20	-	10.50
		17	G1NA030S17K	1030	29.4	22.1	12.00	-	10.50
		14	G1UA030S14	1030	29.0	21.8	-	12.00	10.30
		17,21	G1UA036S17,21	1030	30.4	22.8	12.10	-	10.40
		17	G1UA048S17	1030	31.4	23.6	12.60	-	10.70
		21,24	G1UA048S21	1030	31.4	23.6	12.60	-	10.70
		17	G2FD030(S,H)17	1030	29.4	22.1	-	12.40	10.50
		14	G2FD035(S,H)14	1030	30.0	22.5	12.10	-	10.40
		17	G2FD036(S,H)17	1030	30.0	22.5	12.40	-	10.60
21	G2FD036(S,H)21	1030	30.0	22.5	12.50	-	10.60		
21,24	G2FD048(S,H)21,24	1030	31.0	23.3	12.60	-	10.60		
H4DH036S06	1050 1350	17,21	G1FA036S17,21	1200	35.2	26.0	12.00*	-	11.00
		17	G1FA048S17	1200	37.2	27.5	12.70	13.00*	11.45
		21,24	G1FA048S21	1200	37.2	27.5	12.70	13.00*	11.50
		-	G1HD036	1200	35.2	26.0	12.00	-	10.95
		-	G1HD048	1200	37.8	28.0	12.50	-	11.15
		17	G1NA036S17J	1200	35.4	26.2	12.20	-	11.15
		21	G1NA048S21D	1200	37.0	27.4	-	12.90*	11.40
		17,21	G1UA036S17,21	1200	35.2	26.0	12.00*	-	11.00
		17	G1UA048S17	1200	37.2	27.5	12.70	13.00*	11.45
		21,24	G1UA048S21	1200	37.2	27.5	12.70	13.00*	11.50
		14	G2FD035(S,H)14	1200	35.2	26.0	12.00*	-	11.05
		17	G2FD036(S,H)17	1200	35.8	26.5	12.15	-	11.20
		21	G2FD036(S,H)21	1200	36.4	26.9	12.25	-	11.30
		21	G2FD042(S,H)21	1200	36.2	26.8	12.30	-	11.20
		17	G2FD046(S,H)17	1200	36.2	26.8	12.30	-	11.20
21,24	G2FD048(S,H)21,24	1200	37.8	28.0	12.80	13.00*	11.70		

For Notes see Page 5.

COOLING CAPACITY - Upflow, Downflow, & Horizontal Furnaces and Coils* (Continued)

UNIT MODEL	FURNACE**		COIL MODEL	COOLING					
	CFM RANGE (MIN.-MAX.)	W		RATED CFM	NET MBH		SEER W/O TXV	SEER + TXV ¹	EER
					TOTAL	SENS.			
H4DH042S06	1225 1575	17	G1FA048S17	1400	41.0	30.8	12.15	-	10.70
		21,24	G1FA048S21	1400	41.5	31.1	12.30	-	10.80
		21,24	G1FA060S21,24	1400	42.5	31.9	12.45	-	11.10
		-	G1HD048	1400	41.0	30.8	12.25	-	10.75
		21	G1NA048S21D	1400	40.5	30.4	12.15	-	10.70
		17	G1UA048S17	1400	41.0	30.8	12.15	-	10.70
		21,24	G1UA048S21	1400	41.5	31.1	12.30	-	10.80
		21,24	G1UA060S21,24	1400	42.5	31.9	12.45	-	11.10
		21	G2FD042(S,H)21	1400	40.5	30.4	12.00	-	10.60
		17	G2FD046(S,H)17	1400	41.0	30.8	12.10	-	10.70
		21,24	G2FD048(S,H)21,24	1400	42.0	31.5	12.35	-	10.90
24	G2FD060(S,H)24	1400	42.5	31.9	12.45	-	11.10		
H4DH048S06	1400 1800	17	G1FA048S17	1600	48.0	36.0	12.20*	-	11.00
		21,24	G1FA048S21	1600	48.0	36.0	12.20*	-	11.00
		21,24	G1FA060S21,24	1600	49.5	37.1	12.50*	13.00*	11.35
		-	G1HD048	1600	49.0	36.8	12.00	-	11.10
		-	G1HD060	1600	49.5	37.1	12.20*	-	11.35
		21	G1NA048S21D	1600	47.0	35.3	12.00	-	10.85
		17	G1UA048S17	1600	48.0	36.0	12.20*	-	11.00
		21,24	G1UA048S21	1600	48.0	36.0	12.20*	-	11.00
		21,24	G1UA060S21,24	1600	49.5	37.1	12.50*	13.00*	11.35
		17	G2FD046(S,H)17	1500	47.0	35.3	12.00	-	10.75
		21,24	G2FD048(S,H)21,24	1600	48.5	36.4	12.35*	-	11.15
24	G2FD060(S,H)24	1600	50.0	37.5	12.50*	13.00*	11.45		
H4DH060S06	1575 2025	21,24	G1FA060S21,24	1800	58.5	43.9	12.00	-	11.05
		-	G1HD060	2000	59.0	44.3	12.00	-	11.10
		21,24	G1UA060S21,24	1800	58.5	43.9	12.00	-	11.05
		24	G2FD060(S,H)24	1800	58.5	43.9	12.00	12.50	11.05
		24	G2FD061H24	2000	60.0	45.0	12.00	12.50	11.25

1. TXV = Use 1TV700 Series Kit.

* Requires a 2FD Blower Time Delay unless a standard furnace is equipped with one.

** Refer to Quick Selection Chart for specific furnace match-up.

COOLING CAPACITY - With Variable Speed Furnaces

UNIT MODEL	VARIABLE SPEED FURNACE MODEL	COIL MODEL ¹	W	COOLING					
				RATED CFM	NET MBH		SEER W/O TXV	SEER + TXV ²	EER
					TOTAL	SENS.			
1 PH 12 SEER AC / P1DU / P1XD / P1XU - VARIABLE SPEED³									
H4DH018S06	P1DUA12V	G1FA024S14	14	645	18.8	14.1	14.00	-	12.05
	P1DUA12V	G1FA030S14	14	645	19.4	14.6	14.00	-	12.15
	P1DUA12V	G1FA036S14	14	645	19.6	14.7	14.00	-	12.20
	P1DUA12V	G1HD024	-	645	19.2	14.4	14.00	-	12.05
	P1DUA12V	G1UA024S14	14	645	18.8	14.1	14.00	-	12.05
	P1DUA12V	G1UA030S14	14	645	19.4	14.6	14.00	-	12.15
	P1DUA12V	G1UA036S14	14	645	19.6	14.7	14.00	-	12.20
	P1DUA12V	G2FD024(S,H)14	14	645	19.2	14.4	14.00	-	12.30
	P1XDB12V	G2FD024(S,H)17	17	620	19.0	14.3	13.00	-	12.00
	P1XUB12V	G1FA024S17	17	645	18.8	14.1	14.00	-	12.05
	P1XUB12V	G1FA036S17	17	645	20.0	15.0	14.00	-	12.20
	P1XUB12V	G1UA024S17	17	645	18.8	14.1	14.00	-	12.05
	P1XUB12V	G1UA036S17	17	645	20.0	15.0	14.00	-	12.20
	P1XUB12V	G2FD024(S,H)17	17	645	19.2	14.4	14.00	-	12.30
P1XUB12V	G2FD030(S,H)17	17	645	19.6	14.7	14.00	-	12.25	
H4DH024S06	P1DUA12V	G1FA024S14	14	820	24.0	18.0	13.00	-	11.95
	P1DUA12V	G1FA030S14	14	820	24.0	18.0	13.00	-	12.05
	P1DUA12V	G1FA036S14	14	820	24.6	18.5	13.00	-	12.00
	P1DUA12V	G1HD024	-	820	24.0	18.0	13.00	-	11.80
	P1DUA12V	G1HD036	-	820	24.6	18.5	13.00	-	12.00
	P1DUA12V	G1UA024S14	14	820	24.0	18.0	13.00	-	11.95
	P1DUA12V	G1UA030S14	14	820	24.0	18.0	13.00	-	12.05
	P1DUA12V	G1UA036S14	14	820	24.6	18.5	13.00	-	12.00
	P1DUA12V	G2FD024(S,H)14	14	820	24.0	18.0	13.00	-	12.00
	P1XDB12V	G2FD024(S,H)17	17	815	23.8	17.9	13.00	-	11.80
	P1XUB12V	G1FA024S17	17	820	24.0	18.0	13.00	-	11.95
	P1XUB12V	G1FA036S17	17	820	24.6	18.5	13.00	-	12.00
	P1XUB12V	G1UA024S17	17	820	24.0	18.0	13.00	-	11.95
	P1XUB12V	G1UA036S17	17	820	24.6	18.5	13.00	-	12.00
P1XUB12V	G2FD024(S,H)17	17	820	24.0	18.0	13.00	-	12.05	
P1XUB12V	G2FD030(S,H)17	17	820	24.6	18.5	13.00	-	12.00	
P1XUB12V	G2FD036(S,H)17	17	820	24.6	18.5	13.00	-	12.00	
H4DH030S06	P1DUA12V	G1FA030S14	14	1035	29.4	22.1	12.50	-	10.95
	P1DUA12V	G1FA036S14	14	1035	30.8	23.1	12.50	-	11.05
	P1DUA12V	G1HD036	-	1035	30.4	22.8	13.00	-	11.15
	P1DUA12V	G1UA030S14	14	1035	29.4	22.1	12.50	-	10.95
	P1DUA12V	G1UA036S14	14	1035	30.8	23.1	12.50	-	11.05
	P1DUB16V	G1FA036S17	17	1050	31.0	23.3	13.20	-	11.30
	P1DUB16V	G1FA048S17	17	1065	32.2	24.2	14.00	-	11.90
	P1DUB16V	G1HD036	-	1065	30.8	23.1	13.50	-	11.70
	P1DUB16V	G1UA036S17	17	1050	31.0	23.3	13.20	-	11.30
	P1DUB16V	G1UA048S17	17	1065	32.2	24.2	14.00	-	11.90
	P1DUB16V	G2FD030(S,H)17	17	1050	31.0	23.3	13.20	-	11.30
	P1DUB16V	G2FD036(S,H)17	17	1065	30.8	23.1	13.50	-	11.85
	P1XDB12V	G2FD036(S,H)17	17	1050	29.6	22.2	13.00	-	11.05
	P1XUB12V	G1FA036S17	17	1035	31.0	23.3	13.00	-	11.35
	P1XUB12V	G1FA048S17	17	1035	32.2	24.2	13.50	-	11.65
	P1XUB12V	G1UA036S17	17	1035	31.0	23.3	13.00	-	11.35
	P1XUB12V	G1UA048S17	17	1035	32.2	24.2	13.50	-	11.65
	P1XUB12V	G2FD030(S,H)17	17	1020	30.8	23.1	12.90	-	11.05
	P1XUB12V	G2FD036(S,H)17	17	1035	30.6	23.0	13.50	-	11.60
	P1XUC16V	G1FA036S21	21	1065	31.0	23.3	13.00	-	11.35
P1XUC16V	G1FA048S21	21	1065	32.2	24.2	13.50	-	11.65	
P1XUC16V	G1UA036S21	21	1065	31.0	23.3	13.00	-	11.35	
P1XUC16V	G1UA048S21	21	1065	32.2	24.2	13.50	-	11.65	
P1XUC16V	G2FD036(S,H)21	21	1065	30.0	22.5	13.50	-	11.50	
P1XUC16V	G2FD048(S,H)21	21	1065	31.6	23.7	13.50	-	11.55	

COOLING CAPACITY - With Variable Speed Furnaces (Continued)

UNIT MODEL	VARIABLE SPEED FURNACE MODEL	COIL MODEL ¹	W	COOLING					
				RATED CFM	NET MBH		SEER W/O TXV	SEER + TXV ²	EER
					TOTAL	SENS.			
For Notes see Page 8.									
H4DH036S06	P1DUB16V	G1FA036S17	17	1220	35.8	26.5	13.00	-	11.80
	P1DUB16V	G1FA048S17	17	1220	38.0	28.1	13.50	-	12.40
	P1DUB16V	G1HD036	-	1220	35.8	26.5	13.00	-	11.65
	P1DUB16V	G1HD048	-	1220	38.5	28.5	13.50	-	11.85
	P1DUB16V	G1UA036S17	17	1220	35.8	26.5	13.00	-	11.80
	P1DUB16V	G1UA048S17	17	1220	38.0	28.1	13.50	-	12.40
	P1DUB16V	G2FD036(S,H)17	17	1220	36.4	26.9	13.00	-	12.00
	P1DUB16V	G2FD046(S,H)17	17	1220	36.8	27.2	13.00	-	12.00
	P1DUC20V	G1FA036S21	21	1220	35.8	26.5	13.00	-	11.80
	P1DUC20V	G1FA048S21	21	1200	38.0	28.1	14.00	-	12.65
	P1DUC20V	G1HD036	-	1200	36.0	26.6	13.50	-	12.15
	P1DUC20V	G1HD048	-	1200	39.0	28.9	14.00	-	12.30
	P1DUC20V	G1UA036S21	21	1220	35.8	26.5	13.00	-	11.80
	P1DUC20V	G1UA048S21	21	1200	38.0	28.1	14.00	-	12.65
	P1DUC20V	G2FD036(S,H)21	21	1200	36.6	27.1	13.50	-	12.50
	P1DUC20V	G2FD042(S,H)21	21	1200	36.8	27.2	13.40	-	12.10
	P1DUC20V	G2FD048(S,H)21	21	1200	38.5	28.5	14.00	-	12.70
	P1XDB12V	G2FD036(S,H)17	17	1250	36.0	26.6	12.50	-	11.55
	P1XUB12V	G1FA036S17	17	1220	35.4	26.2	12.40	-	11.35
	P1XUB12V	G1FA048S17	17	1230	38.0	28.1	13.50	-	12.45
	P1XUB12V	G1UA036S17	17	1220	35.4	26.2	12.40	-	11.35
	P1XUB12V	G1UA048S17	17	1230	38.0	28.1	13.50	-	12.45
	P1XUB12V	G2FD036(S,H)17	17	1200	36.0	26.6	12.60	-	11.55
	P1XUB12V	G2FD046(S,H)17	17	1230	36.8	27.2	13.00	-	12.00
	P1XUC20V	G1FA036S21	21	1200	35.8	26.5	13.00	-	11.75
	P1XUC20V	G1FA048S21	21	1200	38.0	28.1	13.90	-	12.60
	P1XUC20V	G1UA036S21	21	1200	35.8	26.5	13.00	-	11.75
	P1XUC20V	G1UA048S21	21	1200	38.0	28.1	13.90	-	12.60
	P1XUC20V	G2FD036(S,H)21	21	1200	36.6	27.1	13.50	-	12.50
	P1XUC20V	G2FD042(S,H)21	21	1200	37.0	27.4	13.50	-	12.45
P1XUC20V	G2FD048(S,H)21	21	1200	38.5	28.5	13.90	-	12.65	
H4DH042S06	P1DUB16V	G1FA048S17	17	1400	41.0	30.8	12.50	-	10.95
	P1DUB16V	G1HD048	-	1425	41.5	31.1	13.00	-	11.45
	P1DUB16V	G1UA048S17	17	1400	41.0	30.8	12.50	-	10.95
	P1DUB16V	G2FD046(S,H)17	17	1400	41.5	31.1	12.90	-	11.20
	P1DUC20V	G1FA048S21	21	1420	42.5	31.9	13.00	-	11.60
	P1DUC20V	G1FA060S21	21	1460	43.0	32.3	13.00	-	11.55
	P1DUC20V	G1HD048	-	1400	41.5	31.1	12.75	-	11.15
	P1DUC20V	G1UA048S21	21	1420	42.5	31.9	13.00	-	11.60
	P1DUC20V	G1UA060S21	21	1460	43.0	32.3	13.00	-	11.55
	P1DUC20V	G2FD042(S,H)21	21	1460	43.0	32.3	13.00	-	11.55
	P1DUC20V	G2FD048(S,H)21	21	1420	42.5	31.9	13.00	-	11.70
	P1XDD20V	G2FD048(S,H)24	24	1365	42.0	31.5	13.00	-	11.40
	P1XUC16V	G1FA048S21	21	1425	42.0	31.5	13.00	-	11.50
	P1XUC16V	G1FA060S21	21	1425	43.0	32.3	13.00	-	11.80
	P1XUC16V	G1UA048S21	21	1425	42.0	31.5	13.00	-	11.50
	P1XUC16V	G1UA060S21	21	1425	43.0	32.3	13.00	-	11.80
	P1XUC16V	G2FD042(S,H)21	21	1425	41.0	30.8	12.50	-	11.30
	P1XUC16V	G2FD048(S,H)21	21	1425	42.5	31.9	13.00	-	11.60
	P1XUC20V	G1FA048S21	21	1420	42.5	31.9	13.00	-	11.60
	P1XUC20V	G1FA060S21	21	1410	43.0	32.3	13.10	-	11.65
	P1XUC20V	G1UA048S21	21	1420	42.5	31.9	13.00	-	11.60
	P1XUC20V	G1UA060S21	21	1410	43.0	32.3	13.10	-	11.65
	P1XUC20V	G2FD042(S,H)21	21	1410	41.0	30.8	12.40	-	10.95
	P1XUC20V	G2FD048(S,H)21	21	1420	42.5	31.9	13.00	-	11.70

For Notes see Page 8.

COOLING CAPACITY - With Variable Speed Furnaces (Continued)

UNIT MODEL	VARIABLE SPEED FURNACE MODEL	COIL MODEL ¹	W	COOLING					
				RATED CFM	NET MBH		SEER W/O TXV	SEER + TXV ²	EER
					TOTAL	SENS.			
H4DH048S06	P1DUB16V	G1FA048S17	17	1500	48.5	36.4	13.00	-	11.85
	P1DUB16V	G1UA048S17	17	1500	48.5	36.4	13.00	-	11.85
	P1DUC20V	G1FA048S21	21	1610	48.0	36.0	12.45	-	11.20
	P1DUC20V	G1FA060S21	21	1610	49.5	37.1	13.30	-	11.60
	P1DUC20V	G1HD048	-	1610	49.0	36.8	12.25	-	11.35
	P1DUC20V	G1UA048S21	21	1610	48.0	36.0	12.45	-	11.20
	P1DUC20V	G1UA060S21	21	1610	49.5	37.1	13.30	-	11.60
	P1DUC20V	G2FD048(S,H)21	21	1610	48.5	36.4	12.50	-	11.35
	P1XDD20V	G2FD048(S,H)24	24	1605	49.5	37.1	13.00	-	12.00
	P1XUC16V	G1FA048S21	21	1480	48.0	36.0	12.30	-	11.25
	P1XUC16V	G1FA060S21	21	1480	49.5	37.1	13.25	-	11.70
	P1XUC16V	G1UA048S21	21	1480	48.0	36.0	12.30	-	11.25
	P1XUC16V	G1UA060S21	21	1480	49.5	37.1	13.25	-	11.70
	P1XUC16V	G2FD048(S,H)21	21	1480	48.5	36.4	12.50	-	11.40
	P1XUC20V	G1FA048S21	21	1450	48.0	36.0	12.50	-	11.45
	P1XUC20V	G1FA060S21	21	1590	49.5	37.1	13.25	-	11.55
	P1XUC20V	G1UA048S21	21	1450	48.0	36.0	12.50	-	11.45
	P1XUC20V	G1UA060S21	21	1590	49.5	37.1	13.25	-	11.55
	P1XUC20V	G2FD048(S,H)21	21	1450	48.5	36.4	13.00	-	11.65
	P1XUD20V	G1FA060S24	24	1620	49.5	37.1	13.25	-	11.55
P1XUD20V	G1UA060S24	24	1620	49.5	37.1	13.25	-	11.55	
P1XUD20V	G2FD048(S,H)24	24	1620	48.5	36.4	12.50	-	11.25	
P1XUD20V	G2FD060(S,H)24	24	1620	50.0	37.5	12.70	-	11.60	
H4DH060S06	P1DUC20V	G1FA060S21	21	1800	59.0	44.3	12.00	-	11.20
	P1DUC20V	G1HD060	-	1730	59.0	44.3	12.10	-	11.50
	P1DUC20V	G1UA060S21	21	1800	59.0	44.3	12.00	-	11.20
	P1XDD20V	G2FD060(S,H)24	24	1675	58.5	43.9	12.00	-	11.05
	P1XUC20V	G1FA060S21	21	1860	59.0	44.3	12.00	-	11.20
	P1XUC20V	G1UA060S21	21	1860	59.0	44.3	12.00	-	11.20
	P1XUD20V	G1FA060S24	24	1860	59.0	44.3	12.00	-	11.20
	P1XUD20V	G1UA060S24	24	1860	59.0	44.3	12.00	-	11.20
	P1XUD20V	G2FD060(S,H)24	24	1860	59.0	44.3	12.00	-	11.20
P1XUD20V	G2FD061H24	24	1800	60.0	45.0	12.60	-	11.50	

1. G2FD coils available with a factory installed horizontal drain pan. See price pages for specific model number.
2. TXV = Use 1TV700 Series Kit.
3. Variable speed furnaces have B.O.D (Blower on Delay) standard.

COOLING PERFORMANCE

MODEL	SUCT. T/P @ COMPR.		AIR TEMP ON CONDENSER						MODEL	SUCT. T/P @ COMPR.		AIR TEMP ON CONDENSER					
			75°F		95°F		115°F					75°F		95°F		115°F	
	TEMP.	PSIG	MBH	KW	MBH	KW	MBH	KW		TEMP.	PSIG	MBH	KW	MBH	KW	MBH	KW
H4DH018S06	35	61.5	18.7	1.92	12.6	2.06	7.3	2.24	H4DH042S06	35	61.5	36.8	3.07	32.2	3.69	27.6	4.37
	40	68.5	20.8	1.92	14.3	2.10	8.8	2.31		40	68.5	40.5	3.11	35.7	3.77	30.9	4.49
	45	76.0	22.9	1.90	16.1	2.11	10.2	2.37		45	76.0	44.4	3.15	39.4	3.85	34.4	4.61
	50	84.0	25.1	1.86	18.0	2.11	11.8	2.41		50	84.0	48.4	3.19	43.2	3.91	37.9	4.72
H4DH024S06	35	61.5	22.4	2.10	17.4	2.30	12.7	2.51	H4DH048S06	35	61.5	47.8	3.66	40.2	4.50	33.0	5.51
	40	68.5	25.0	2.14	19.6	2.36	14.6	2.58		40	68.5	52.5	3.69	44.4	4.54	36.8	5.57
	45	76.0	27.7	2.17	21.9	2.41	16.6	2.65		45	76.0	57.3	3.73	48.7	4.57	40.6	5.62
	50	84.0	30.4	2.20	24.3	2.45	18.6	2.72		50	84.0	62.3	3.77	53.2	4.61	44.6	5.67
H4DH030S06	35	61.5	26.6	2.52	22.9	3.00	19.3	3.62	H4DH060S06	35	61.5	55.7	4.37	51.4	5.37	46.8	6.69
	40	68.5	29.1	2.54	25.1	3.03	21.3	3.65		40	68.5	60.6	4.41	56.2	5.43	51.4	6.74
	45	76.0	31.6	2.56	27.5	3.05	23.4	3.68		45	76.0	65.6	4.46	61.0	5.47	56.1	6.80
	50	84.0	34.3	2.58	29.9	3.08	25.6	3.71		50	84.0	70.9	4.50	66.0	5.52	60.8	6.85
H4DH036S06	35	61.5	34.3	2.62	30.9	3.10	27.4	3.77									
	40	68.5	37.7	2.64	34.1	3.13	30.3	3.80									
	45	76.0	41.4	2.66	37.5	3.17	33.4	3.85									
	50	84.0	45.1	2.69	41.0	3.21	36.7	3.90									

1. For condensing unit only. Does not include effect of evaporator motor power or heat.
2. Performance based on 15° superheat and 15° sub-cooling at condensing unit.
 - a. Increase capacity 1% for each 2° increase in sub-cooling.
 - b. Decrease capacity 1% for each 2° decrease in sub-cooling.
3. Sub-cooling in excess of 20° may result in excessively high condensing temperature with air on condenser above 115°. Maximum recommended condensing temperature is 140°F.

ACCESSORIES

Refer to Price Manual for specific model numbers.

Hard Start Kit - Provides increased starting torque for areas with low voltage.

Compressor Blanket - Designed to further reduce the normal compressor operating sound. Refer to price pages for specific match-ups.

Off Cycle Timer Delay - Provides a 5-minute off cycle to prevent rapid recycling of the compressor.

Room Thermostats - A wide selection of compatible thermostats are available to provide optimum performance and features for any installation.

1 Heat Stage only, manual, mechanical thermostat. Add sub-base for 1H/1C.

1H/1C, manual change-over electronic non-programmable thermostat.

1H/1C, auto/manual changeover, electronic programmable, deluxe 7-day, thermostat.

1H/1C, auto/manual changeover, electronic programmable.

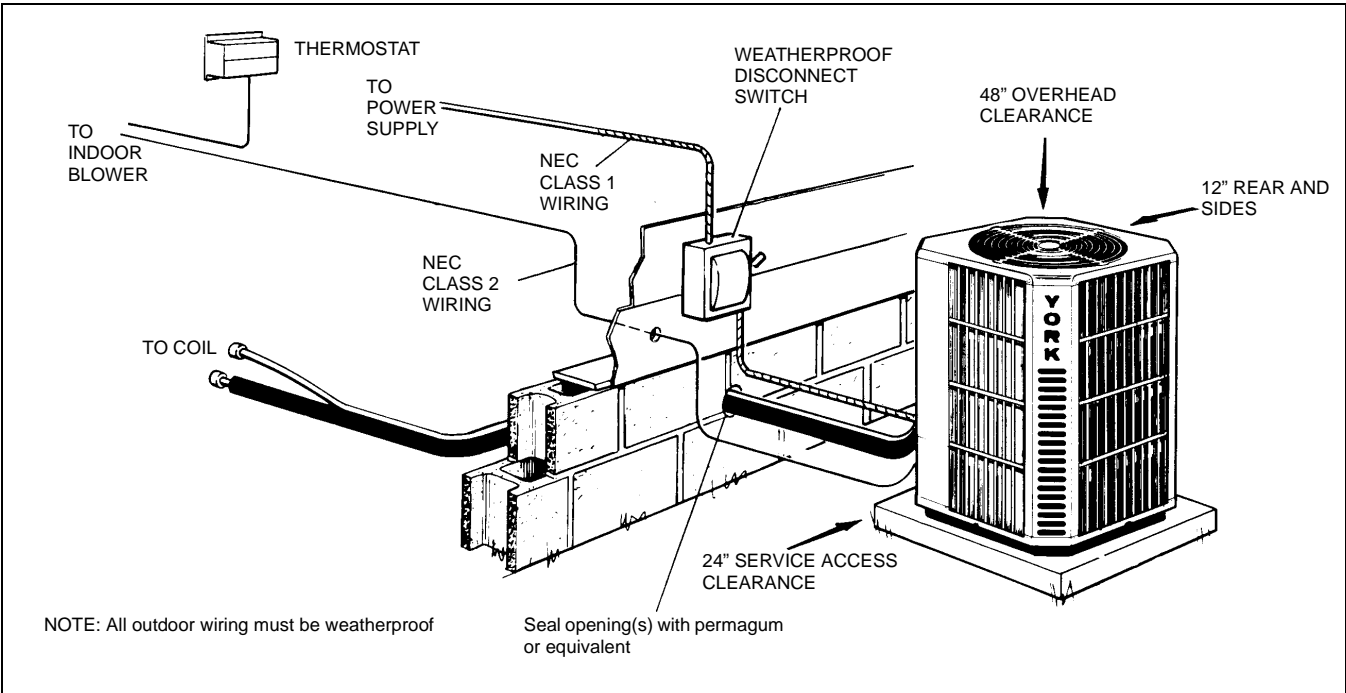
* For the most current accessory information, refer to the price book or consult factory.

SOUND RATINGS

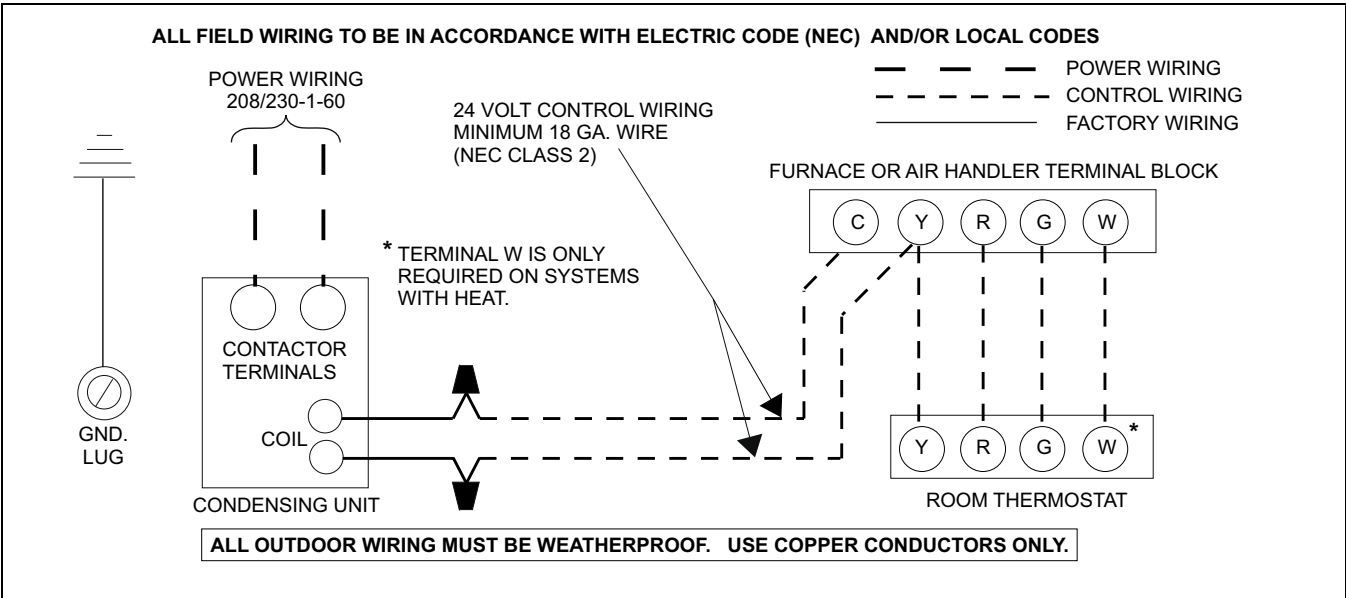
UNIT MODEL	SOUND RATINGS DECIBELS*
018	70
024	72
030	72
036	74
042	76
048	76
060	76

*Rated in accordance with ARI Standard 270.

TYPICAL INSTALLATION



TYPICAL FIELD WIRING - 1 PHASE APPLICATION



COOLING PERFORMANCE DATA													
AIR CONDITIONER MODEL NO.		H4DH018S06											
INDOOR COIL MODEL NO.		G1FA024S14,17											
CONDENSER ENTERING AIR TEMPERATURE	ID CFM	600				650				700			
	ID DB	85	80	75	70	85	80	75	70	85	80	75	70
	ID WB	72	67	62	57	72	67	62	57	72	67	62	57
75	T.C.	22.1	20.3	18.6	16.9	22.3	20.5	18.8	17.1	22.5	20.7	18.9	17.2
	S.C.	13.2	13.3	13.4	13.4	13.6	13.6	13.8	13.8	13.9	14.0	14.2	14.2
	K.W	1.61	1.63	1.64	1.63	1.62	1.65	1.66	1.66	1.64	1.67	1.68	1.68
85	T.C.	21.7	19.9	18.1	16.4	21.9	20.1	18.3	16.6	22.0	20.3	18.4	17.0
	S.C.	13.5	13.5	13.6	13.6	13.9	14.0	14.1	14.1	14.4	14.4	14.6	14.9
	K.W	1.65	1.67	1.68	1.67	1.67	1.69	1.70	1.69	1.68	1.71	1.72	1.71
95	T.C.	19.8	18.1	16.4	14.9	19.9	18.2	16.6	15.1	20.0	18.3	16.8	15.3
	S.C.	13.2	13.2	13.3	13.3	13.7	13.7	14.0	13.8	14.2	14.2	14.4	14.3
	K.W	1.75	1.78	1.78	1.77	1.77	1.80	1.80	1.80	1.78	1.81	1.82	1.82
105	T.C.	17.4	15.9	14.4	13.1	17.6	16.1	14.6	13.4	17.6	16.2	14.7	13.6
	S.C.	12.7	12.6	12.7	12.7	13.2	13.2	13.2	12.9	13.8	13.8	13.7	13.1
	K.W	1.90	1.92	1.92	1.90	1.92	1.94	1.94	1.93	1.93	1.96	1.96	1.95
115	T.C.	15.1	13.7	12.3	11.3	15.2	13.8	12.6	11.5	15.3	13.9	12.8	11.7
	S.C.	11.9	11.8	11.8	10.9	12.5	12.3	12.2	11.1	13.0	12.9	12.3	11.3
	K.W	2.08	2.09	2.08	2.05	2.10	2.11	2.10	2.08	2.12	2.13	2.12	2.10
125	T.C.	12.8	11.5	10.2	9.5	12.8	11.5	10.6	9.6	13.0	11.6	10.9	9.8
	S.C.	11.1	11.0	10.9	9.1	11.8	11.4	11.2	9.3	12.2	12.0	10.9	9.5
	K.W	2.26	2.26	2.24	2.20	2.28	2.28	2.26	2.23	2.31	2.30	2.28	2.25

NOTE: ALL CAPACITIES INCLUDE INDOOR FAN HEAT AT 1250 BTUH/1000 CFM.

Multipliers for determining the performance with other indoor sections.

Air Handler	Coil	T.C.	S.C.	KW
N1AHB08	G2FD024(S,H)17	1.02	1.02	1.00
N1AHB08	G2FD030(S,H)17	1.04	1.04	1.02
N1VSB12	G2FD024(S,H)17	1.10	1.10	0.94
F2RP/FP018		0.99	0.99	0.80
F2RC/FC024		1.02	1.02	0.99
F2RP/FP024		1.02	1.02	0.98
	G1FA036S17,21	1.07	1.07	1.05
	G2FD035(S,H)14	1.05	1.05	1.03
	G1HD024	1.02	1.02	1.02
	G1UA030S14	1.03	1.03	1.02
	G1UA036S14	1.05	1.05	1.04
	G1UA036S17,21	1.07	1.07	1.05
	G2FD030(S,H)17	1.04	1.04	1.02
	G2FD024(S,H)17	1.02	1.02	1.00
	G1NA030S17H	1.03	1.03	0.99
	G1UA024S14,17	1.00	1.00	1.00
	G1FA030S14	1.03	1.03	1.02
	G1FA036S14	1.05	1.05	1.04

Variable Speed Furnace	Coil	T.C.	S.C.	KW
P1DUA12V	G1FA024S14	1.03	1.03	0.91
P1DUA12V	G1FA030S14	1.07	1.07	0.93
P1DUA12V	G1FA036S14	1.08	1.08	0.94
P1DUA12V	G1HD024	1.05	1.05	0.93
P1DUA12V	G1UA024S14	1.03	1.03	0.91
P1DUA12V	G1UA030S14	1.07	1.07	0.93
P1DUA12V	G1UA036S14	1.08	1.08	0.94
P1DUA12V	G2FD024(S,H)14	1.05	1.05	0.91
P1XDB12V	G2FD024(S,H)17	1.04	1.04	0.92
P1XUB12V	G1FA024S17	1.03	1.03	0.91
P1XUB12V	G1FA036S17	1.10	1.10	0.95
P1XUB12V	G1UA024S17	1.03	1.03	0.91
P1XUB12V	G1UA036S17	1.10	1.10	0.95
P1XUB12V	G2FD024(S,H)17	1.05	1.05	0.91
P1XUB12V	G2FD030(S,H)17	1.08	1.08	0.93

COOLING PERFORMANCE DATA													
AIR CONDITIONER MODEL NO.		H4DH024S06											
INDOOR COIL MODEL NO.		G1FA024S14,17											
CONDENSER ENTERING AIR TEMPERATURE	ID CFM	800				850				900			
	ID DB	85	80	75	70	85	80	75	70	85	80	75	70
	ID WB	72	67	62	57	72	67	62	57	72	67	62	57
75	T.C.	27.8	25.4	23.2	21.1	27.9	25.6	23.4	21.4	28.1	25.8	23.5	21.6
	S.C.	17.9	18.0	18.2	18.3	18.5	18.5	18.7	19.0	19.0	19.1	19.2	19.4
	K.W.	1.66	1.64	1.63	1.61	1.68	1.66	1.65	1.64	1.70	1.68	1.67	1.66
85	T.C.	26.6	24.4	22.2	20.3	26.8	24.6	22.4	20.5	26.9	24.7	22.5	20.7
	S.C.	17.5	17.6	17.8	17.9	18.1	18.1	18.3	18.5	18.5	18.6	18.8	18.9
	K.W.	1.79	1.78	1.76	1.75	1.81	1.80	1.78	1.77	1.84	1.82	1.80	1.79
95	T.C.	25.4	23.3	21.1	19.4	25.5	23.4	21.3	19.6	25.7	23.5	21.5	19.7
	S.C.	17.1	17.1	17.3	17.4	17.6	17.6	17.8	17.9	18.1	18.1	18.4	18.4
	K.W.	2.00	1.98	1.96	0.39	2.02	2.00	1.98	1.97	2.04	2.02	0.47	1.99
105	T.C.	24.1	22.1	20.1	18.4	24.2	22.2	20.2	18.6	24.4	22.3	20.5	18.7
	S.C.	16.6	16.6	16.8	16.9	17.1	17.1	17.3	17.4	17.6	17.6	18.0	17.9
	K.W.	2.23	2.21	2.19	2.17	2.26	2.23	2.21	2.19	2.28	2.26	2.23	2.21
115	T.C.	22.8	20.9	19.0	17.4	22.9	21.0	19.2	17.5	23.0	21.1	19.4	17.7
	S.C.	16.1	16.1	16.4	16.3	16.6	16.6	17.0	16.8	17.1	17.1	17.4	17.3
	K.W.	2.50	2.48	2.45	2.42	2.52	2.50	2.47	2.45	2.54	2.52	2.49	2.47
125	T.C.	21.5	19.7	17.9	16.4	21.6	19.8	18.2	16.4	21.6	19.9	18.3	16.7
	S.C.	15.6	15.6	16.0	15.7	16.1	16.1	16.7	16.2	16.6	16.6	16.8	16.7
	K.W.	2.77	2.75	2.71	2.67	2.78	2.77	2.73	2.71	2.80	2.78	2.75	2.73

NOTE: ALL CAPACITIES INCLUDE INDOOR FAN HEAT AT 1250 BTUH/1000 CFM.

Multipliers for determining the performance with other indoor sections.

Air Handler	Coil	T.C.	S.C.	KW
N1AHB08	G2FD024(S,H)17	1.00	1.00	0.99
N1AHB08	G2FD030(S,H)17	1.00	1.00	0.99
N1VSB12	G2FD024(S,H)17	1.04	1.04	0.93
N1VSB12	G2FD036(S,H)17	1.05	1.05	0.94
F2RC/FC024		0.98	0.98	0.98
F2FP/FP024		1.03	1.03	1.02
F2RC/FC030		1.00	1.00	0.99
F2RP/FP030		1.04	1.04	1.04
F2FP040		1.06	1.06	1.01
	G1FA036S14	1.03	1.03	1.03
	G1FA036S17,21	1.03	1.03	1.02
	G1HD024	1.00	1.00	1.01
	G1HD036	1.03	1.03	1.02
	G1NA030S17	1.03	1.03	1.00
	G1UA024S14,17	1.00	1.00	1.00
	G2FD036(S,H)17	1.03	1.03	1.02
	G1UA030S14	1.00	1.00	0.99
	G1UA036S14	1.03	1.03	1.03
	G1UA036S17,21	1.03	1.03	1.02
	G2FD030(S,H)17	1.00	1.00	0.99
	G2FD024(S,H)14,17	1.00	1.00	0.99
	G2FD035(S,H)14	1.00	1.00	1.00
	G1FA030S14	1.00	1.00	0.99

Variable Speed Furnace	Coil	T.C.	S.C.	KW
P1DUA12V	G1FA024S14	1.03	1.03	0.93
P1DUA12V	G1FA030S14	1.03	1.03	0.92
P1DUA12V	G1FA036S14	1.05	1.05	0.95
P1DUA12V	G1HD024	1.03	1.03	0.94
P1DUA12V	G1HD036	1.05	1.05	0.95
P1DUA12V	G1UA024S14	1.03	1.03	0.93
P1DUA12V	G1UA030S14	1.03	1.03	0.92
P1DUA12V	G1UA036S14	1.05	1.05	0.95
P1DUA12V	G2FD024(S,H)14	1.03	1.03	0.92
P1XDB12V	G2FD024(S,H)17	1.02	1.02	0.93
P1XUB12V	G1FA024S17	1.03	1.03	0.93
P1XUB12V	G1FA036S17	1.05	1.05	0.95
P1XUB12V	G1UA024S17	1.03	1.03	0.93
P1XUB12V	G1UA036S17	1.05	1.05	0.95
P1XUB12V	G2FD024(S,H)17	1.03	1.03	0.92
P1XUB12V	G2FD030(S,H)17	1.05	1.05	0.95
P1XUB12V	G2FD036(S,H)17	1.05	1.05	0.95

COOLING PERFORMANCE DATA													
AIR CONDITIONER MODEL NO.		H4DH030S06											
INDOOR COIL MODEL NO.		G1FA036S17,21											
CONDENSER ENTERING AIR TEMPERATURE	ID CFM	980				1030				1080			
	ID DB	85	80	75	70	85	80	75	70	85	80	75	70
	ID WB	72	67	62	57	72	67	62	57	72	67	62	57
75	T.C.	35.3	32.6	29.8	27.3	35.7	32.9	30.1	27.8	35.9	33.2	30.4	28.1
	S.C.	22.6	22.7	23.1	23.1	23.7	23.8	24.1	24.5	24.7	24.8	25.2	25.5
	K.W.	2.35	2.32	2.30	2.28	2.39	2.37	2.35	2.33	2.43	2.40	2.38	2.37
85	T.C.	33.7	31.2	28.5	26.1	34.0	31.4	28.8	26.6	34.3	31.7	29.1	26.9
	S.C.	22.0	22.2	22.4	22.6	23.1	23.2	23.5	23.8	24.1	24.3	24.6	24.8
	K.W.	2.62	2.59	2.55	2.52	2.67	2.63	2.60	2.57	2.70	2.67	2.64	2.61
95	T.C.	32.6	30.1	27.6	25.4	32.9	30.4	27.9	25.8	33.0	30.6	28.3	26.1
	S.C.	21.6	21.7	22.0	22.4	22.7	22.8	23.1	23.4	23.7	23.8	24.5	24.4
	K.W.	2.90	2.85	2.81	2.78	2.94	2.90	2.86	2.82	2.98	2.94	2.90	2.86
105	T.C.	31.4	29.0	26.6	24.6	31.6	29.3	26.9	24.9	31.8	29.5	27.3	25.1
	S.C.	21.1	21.3	21.6	21.9	22.2	22.4	22.7	23.0	23.3	23.5	24.0	23.8
	K.W.	3.18	3.13	3.09	3.06	3.22	3.18	3.14	3.10	3.26	3.22	3.18	3.14
115	T.C.	30.1	27.9	25.6	23.7	30.2	28.1	26.0	23.9	30.4	28.2	26.2	24.6
	S.C.	20.8	20.8	21.2	21.4	21.7	21.9	22.5	22.4	22.9	22.9	23.4	23.8
	K.W.	3.47	3.44	3.41	3.38	3.52	3.49	3.46	3.43	3.56	3.53	3.50	3.47
125	T.C.	28.8	26.8	24.6	22.8	28.8	26.9	25.1	22.9	29.0	26.9	25.1	24.1
	S.C.	20.5	20.3	20.8	20.9	21.2	21.4	22.3	21.8	22.5	22.3	22.8	23.8
	K.W.	3.76	3.75	3.73	3.70	3.82	3.80	3.78	3.76	3.86	3.84	3.82	3.80

NOTE: ALL CAPACITIES INCLUDE INDOOR FAN HEAT AT 1250 BTUH/1000 CFM.

Multipliers for determining the performance with other indoor sections.

Air Handler	Coil	T.C.	S.C.	KW
N1AHB12	G2FD030(S,H)17	0.97	0.97	0.96
N1AHB12	G2FD036(S,H)17	0.99	0.99	0.97
N1VSB12	G2FD036(S,H)17	1.02	1.02	0.98
N1VSB12	G2FD046(S,H)17	1.05	1.05	1.00
F2RC/FC030		0.93	0.93	0.93
F2RP/FP030		0.99	0.99	0.98
F2FP040		1.03	1.03	1.00
F2RP/FP036		1.02	1.02	1.00
	G1HD036	0.99	0.99	0.98
	G1NA030S17	0.97	0.97	0.96
	G1UA030S14	0.95	0.95	0.96
	G1UA036S17,21	1.00	1.00	1.00
	G1FA048S21	1.03	1.04	1.00
	G1UA048S17	1.03	1.03	1.00
	G1UA048S21	1.03	1.03	1.00
	G2FD030(S,H)17	0.97	0.97	0.96
	G2FD035(S,H)14	0.99	0.99	0.99
	G2FD036(S,H)17	0.99	0.99	0.97
	G2FD036(S,H)21	0.99	0.99	0.97
	G2FD048(S,H)21,24	1.02	1.02	1.00
	G1FA030S14	0.95	0.95	0.96
	G1FA048S17	1.03	1.03	1.00

Variable Speed Furnace	Coil	T.C.	S.C.	KW
P1DUB16V	G1UA036S17	1.02	1.02	0.94
P1DUB16V	G1UA048S17	1.06	1.06	0.93
P1DUB16V	G2FD030(S,H)17	1.02	1.02	0.94
P1DUB16V	G2FD036(S,H)17	1.01	1.01	0.89
P1XDB12V	G2FD036(S,H)17	0.97	0.97	0.92
P1XUB12V	G1FA036S17	1.02	1.02	0.93
P1XUB12V	G1FA048S17	1.06	1.06	0.95
P1XUB12V	G1UA036S17	1.02	1.02	0.93
P1XUB12V	G1UA048S17	1.06	1.06	0.95
P1XUB12V	G2FD030(S,H)17	1.01	1.01	0.95
P1XUB12V	G2FD036(S,H)17	1.01	1.01	0.90
P1XUC16V	G1FA036S21	1.02	1.02	0.93
P1XUC16V	G1FA048S21	1.06	1.06	0.95
P1XUC16V	G1UA036S21	1.02	1.02	0.93
P1XUC16V	G1UA048S21	1.06	1.06	0.95
P1XUC16V	G2FD036(S,H)21	0.99	0.99	0.89
P1DUA12V	G1FA030S14	0.97	0.97	0.92
P1DUA12V	G1FA036S14	1.01	1.01	0.95
P1DUA12V	G1HD036	1.00	1.00	0.93
P1DUA12V	G1UA030S14	0.97	0.97	0.92
P1DUA12V	G1UA036S14	1.01	1.01	0.95
P1DUB16V	G1FA036S17	1.02	1.02	0.94
P1DUB16V	G1FA048S17	1.06	1.06	0.93
P1DUB16V	G1HD036	1.01	1.01	0.90
P1XUC16V	G2FD048(S,H)21	1.04	1.04	0.94

COOLING PERFORMANCE DATA													
AIR CONDITIONER MODEL NO.		H4DH036S06											
INDOOR COIL MODEL NO.		G1FA036S17,21											
CONDENSER ENTERING AIR TEMPERATURE	ID CFM	1100				1200				1300			
	ID DB	85	80	75	70	85	80	75	70	85	80	75	70
	ID WB	72	67	62	57	72	67	62	57	72	67	62	57
75	T.C.	40.9	37.5	34.2	31.2	41.2	37.9	34.5	31.5	41.6	38.2	34.8	32.0
	S.C.	26.1	26.2	26.6	26.7	27.0	27.1	27.6	27.7	28.1	28.2	28.6	28.9
	K.W.	2.69	2.66	2.63	2.61	2.74	2.71	2.68	2.66	2.77	2.74	2.71	2.69
85	T.C.	39.7	36.4	33.2	30.3	40.1	36.7	33.5	30.6	40.3	37.1	33.7	31.0
	S.C.	25.6	25.8	26.1	26.2	26.7	26.7	27.1	27.2	27.5	27.7	28.0	28.4
	K.W.	2.91	2.87	2.84	2.81	2.96	2.92	2.88	2.86	2.99	2.95	2.92	2.89
95	T.C.	38.0	34.8	31.8	29.0	38.3	35.2	32.1	29.5	38.7	35.5	32.4	29.8
	S.C.	25.0	25.1	25.5	25.6	26.0	26.0	26.4	26.8	27.0	27.0	27.4	27.6
	K.W.	3.20	3.15	3.11	3.08	3.25	3.20	3.16	3.13	3.29	3.24	3.20	3.17
105	T.C.	36.4	33.4	30.4	27.7	36.7	33.7	30.6	28.2	36.8	33.9	30.9	28.5
	S.C.	24.5	24.5	24.8	24.8	25.5	25.5	25.7	26.0	26.3	26.5	26.8	27.0
	K.W.	3.54	3.49	3.44	3.40	3.59	3.54	3.49	3.45	3.63	3.58	3.53	3.49
115	T.C.	34.6	31.9	28.9	26.6	34.8	32.0	29.1	26.8	35.2	32.2	29.6	27.1
	S.C.	23.8	24.0	24.1	24.5	24.7	24.8	25.1	25.3	25.8	25.7	26.4	26.1
	K.W.	3.95	3.89	3.84	3.80	4.00	3.94	3.88	3.85	4.03	3.98	3.92	3.88
125	T.C.	32.8	30.4	27.4	25.5	33.0	30.3	27.6	25.4	33.6	30.5	28.3	25.7
	S.C.	23.1	23.5	23.4	24.2	23.9	24.1	24.5	24.6	25.3	24.9	26.0	25.2
	K.W.	4.36	4.29	4.24	4.20	4.41	4.34	4.27	4.25	4.43	4.38	4.31	4.27

NOTE: ALL CAPACITIES INCLUDE INDOOR FAN HEAT AT 1250 BTUH/1000 CFM.

Multipliers for determining the performance with other indoor sections.

Air Handler	Coil	T.C.	S.C.	KW
N1AHB12	G2FD036(S,H)17	1.02	1.02	1.00
N1AHB12	G2FD046(S,H)17	1.03	1.03	1.01
N1AHD14	G2FD048(S,H)24	1.08	0.91	0.99
N1AHD14	G2FD060(S,H)24	1.09	0.93	0.99
N1VSB12	G2FD036(S,H)17	1.01	1.03	0.92
F2RP/FP036		1.03	1.04	0.99
N1VSC16	G3FD048S21	1.08	1.09	0.95
F2RP/FP042		1.03	1.05	0.99
F2FP045		1.08	1.09	0.97
F2FP048		1.05	1.06	0.97
F2RC/FC036		1.01	1.03	1.00
	G1FA048S24	1.06	1.06	1.01
	G1HD036	1.00	1.00	1.00
	G1HD048	1.07	1.07	1.06
	G1NA036S17J	1.01	1.01	0.99
	G1NA048S21D	1.05	1.05	1.01
	G1UA036S17,21	1.00	1.00	1.00
	G1FA048S21	1.06	1.06	1.01
	G1UA048S17	1.06	1.06	1.02
	G1UA048S21	1.06	1.06	1.01
	G2FD035(S,H)14	1.00	1.00	1.00
	G2FD036(S,H)17	1.02	1.02	1.00
	G2FD036(S,H)21	1.03	1.03	1.01
	G2FD042(S,H)21	1.03	1.03	1.01
	G2FD046(S,H)17	1.03	1.03	1.01
	G2FD048(S,H)21,24	1.07	1.07	1.01
	G1FA048S17	1.06	1.06	1.02

Variable Speed Furnace	Coil	T.C.	S.C.	KW
P1DUB16V	G1FA036S17	1.02	1.02	0.95
P1DUB16V	G1FA048S17	1.08	1.08	0.96
P1DUB16V	G1HD036	1.02	1.02	0.96
P1DUB16V	G1HD048	1.09	1.09	1.02
P1DUB16V	G1UA036S17	1.02	1.02	0.95
P1DUB16V	G1UA048S17	1.08	1.08	0.96
P1DUB16V	G2FD036(S,H)17	1.03	1.03	0.95
P1DUB16V	G2FD046(S,H)17	1.05	1.05	0.96
P1DUC20V	G1FA036S21	1.02	1.02	0.95
P1DUC20V	G1FA048S21	1.08	1.08	0.94
P1DUC20V	G1HD036	1.02	1.02	0.93
P1DUC20V	G1HD048	1.11	1.11	0.99
P1DUC20V	G1UA036S21	1.02	1.02	0.95
P1DUC20V	G1UA048S21	1.08	1.08	0.94
P1DUC20V	G2FD036(S,H)21	1.04	1.04	0.92
P1DUC20V	G2FD042(S,H)21	1.05	1.05	0.95
P1DUC20V	G2FD048(S,H)21	1.09	1.09	0.95
P1XDB12V	G2FD036(S,H)17	1.02	1.02	0.97
P1XUB12V	G1FA036S17	1.01	1.01	0.97
P1XUB12V	G1FA048S17	1.08	1.08	0.95
P1XUB12V	G1UA036S17	1.01	1.01	0.97
P1XUB12V	G1UA048S17	1.08	1.08	0.95
P1XUB12V	G2FD036(S,H)17	1.02	1.02	0.97
P1XUB12V	G2FD046(S,H)17	1.05	1.05	0.96
P1XUC20V	G1FA036S21	1.02	1.02	0.95
P1XUC20V	G1FA048S21	1.08	1.08	0.94
P1XUC20V	G1UA036S21	1.02	1.02	0.95
P1XUC20V	G1UA048S21	1.08	1.08	0.94
P1XUC20V	G2FD036(S,H)21	1.04	1.04	0.92
P1XUC20V	G2FD042(S,H)21	1.05	1.05	0.93

COOLING PERFORMANCE DATA													
AIR CONDITIONER MODEL NO.		H4DH042S06											
INDOOR COIL MODEL NO.		G1FA048S17											
CONDENSER ENTERING AIR TEMPERATURE	ID CFM	1300				1400				1500			
	ID DB	85	80	75	70	85	80	75	70	85	80	75	70
	ID WB	72	67	62	57	72	67	62	57	72	67	62	57
75	T.C.	45.2	41.7	38.1	34.8	45.6	42.0	38.5	35.1	45.9	42.3	38.7	35.4
	S.C.	28.5	28.7	29.0	29.1	29.3	29.4	29.8	29.6	30.0	30.1	30.5	30.4
	K.W	3.11	3.08	3.04	2.99	3.16	3.12	3.08	3.04	3.20	3.16	3.13	3.08
85	T.C.	45.3	41.7	38.1	34.8	45.7	42.1	38.4	35.1	46.0	42.4	38.7	35.8
	S.C.	29.7	29.8	30.2	30.3	30.6	30.8	31.2	31.0	31.5	31.7	32.1	32.6
	K.W	3.43	3.38	3.33	3.28	3.48	3.43	3.38	3.32	3.52	3.47	3.42	3.38
95	T.C.	44.3	40.7	37.1	34.0	44.6	41.0	37.4	34.4	44.9	41.2	37.6	34.7
	S.C.	30.3	30.4	30.8	31.1	31.4	31.5	31.7	31.9	32.3	32.4	32.9	32.8
	K.W	3.84	3.78	3.71	3.64	3.89	3.83	3.76	3.69	3.94	3.88	3.81	3.74
105	T.C.	42.4	38.9	35.4	32.4	42.7	39.2	35.8	32.7	42.9	39.4	36.1	33.0
	S.C.	30.0	30.1	30.4	30.5	31.2	31.2	31.7	31.3	32.3	32.4	32.7	32.3
	K.W	4.29	4.21	4.12	4.03	4.33	4.25	4.17	4.08	4.38	4.30	4.22	4.13
115	T.C.	40.1	36.7	33.5	30.5	40.4	37.0	33.8	30.8	40.5	37.1	34.0	31.6
	S.C.	29.3	29.2	29.6	29.5	30.4	30.4	30.7	30.3	31.5	31.5	31.8	31.5
	K.W	4.74	4.64	4.53	4.42	4.79	4.69	4.58	4.48	4.84	4.74	4.64	4.56
125	T.C.	37.8	34.5	31.6	28.6	38.1	34.8	31.8	28.9	38.1	34.8	31.9	30.2
	S.C.	28.6	28.3	28.8	28.5	29.6	29.6	29.7	29.3	30.7	30.6	30.9	30.7
	K.W	5.19	5.07	4.94	4.81	5.25	5.13	4.99	4.88	5.30	5.18	5.06	4.99

NOTE: ALL CAPACITIES INCLUDE INDOOR FAN HEAT AT 1250 BTUH/1000 CFM.

Multipliers for determining the performance with other indoor sections.

Air Handler	Coil	T.C.	S.C.	KW
N1AHC16	G2FD042(S,H)21	0.99	0.99	1.00
N1AHC16	G2FD048(S,H)21	1.02	1.02	1.01
N1VSC16	G2FD048(S,H)21	1.04	1.04	0.95
F2FP045		1.04	1.04	0.99
F2FP048		1.01	1.01	1.02
F2RP/FP042		0.99	0.99	1.01
	G1NA048S21D	0.99	0.99	0.99
	G1UA048S17	1.00	1.00	1.00
	G1UA048S21	1.01	1.01	1.00
	G1HD048	1.00	1.00	1.00
	G1UA060S21,24	1.04	1.04	1.00
	G1FA060S21,24	1.04	1.04	1.00
	G2FD042(S,H)21	0.99	0.99	1.00
	G2FD046(S,H)17	1.00	1.00	1.00
	G2FD048(S,H)21,24	1.02	1.02	1.01
	G1FA048S21	1.01	1.01	1.00
	G2FD060(S,H)21,24	1.04	1.04	1.00

Variable Speed Furnace	Coil	T.C.	S.C.	KW
P1XUC20V	G2FD048(S,H)21	0.94	0.93	0.79
P1DUB16V	G1FA048S17	1.00	1.00	0.98
P1DUB16V	G1HD048	1.01	1.01	0.95
P1DUB16V	G1UA048S17	1.00	1.00	0.98
P1DUB16V	G2FD046(S,H)17	1.01	1.01	0.97
P1DUC20V	G1FA048S21	1.04	1.04	0.96
P1DUC20V	G1FA060S21	1.05	1.05	0.97
P1DUC20V	G1HD048	1.01	1.01	0.97
P1XUC20V	G2FD042(S,H)21	1.00	1.00	0.98
P1XUC20V	G2FD048(S,H)21	1.04	1.04	0.95
P1DUC20V	G1UA048S21	1.04	1.04	0.96
P1DUC20V	G1UA060S21	1.05	1.05	0.97
P1DUC20V	G2FD042(S,H)21	1.05	1.05	0.97
P1DUC20V	G2FD048(S,H)21	1.04	1.04	0.95
P1XDD20V	G2FD048(S,H)24	1.02	1.02	0.96
P1XUC16V	G1FA048S21	1.02	1.02	0.95
P1XUC16V	G1FA060S21	1.05	1.05	0.95
P1XUC16V	G1UA048S21	1.02	1.02	0.95
P1XUC16V	G1UA060S21	1.05	1.05	0.95
P1XUC16V	G2FD042(S,H)21	1.00	1.00	0.95
P1XUC16V	G2FD048(S,H)21	1.04	1.04	0.96
P1XUC20V	G1FA048S21	1.04	1.04	0.96
P1XUC20V	G1FA060S21	1.05	1.05	0.96
P1XUC20V	G1UA048S21	1.04	1.04	0.96
P1XUC20V	G1UA060S21	1.05	1.05	0.96

COOLING PERFORMANCE DATA													
AIR CONDITIONER MODEL NO.		H4DH048S06											
INDOOR COIL MODEL NO.		G1FA048S21											
CONDENSER ENTERING AIR TEMPERATURE	ID CFM	1450				1600				1750			
	ID DB	85	80	75	70	85	80	75	70	85	80	75	70
	ID WB	72	67	62	57	72	67	62	57	72	67	62	57
75	T.C.	56.8	52.2	47.7	43.6	57.4	52.9	48.4	44.2	57.9	53.4	48.8	44.9
	S.C.	35.8	36.0	36.4	36.6	37.2	37.4	37.9	38.0	38.6	38.8	39.3	39.7
	K.W.	3.71	3.68	3.65	3.63	3.77	3.74	3.71	3.68	3.84	3.80	3.77	3.75
85	T.C.	54.6	50.3	45.9	41.9	55.3	50.9	46.5	42.6	55.8	51.4	47.0	43.1
	S.C.	35.1	35.2	35.8	35.9	36.7	36.9	37.3	37.5	38.1	38.3	38.8	39.1
	K.W.	4.12	4.09	4.05	4.02	4.17	4.14	4.11	4.08	4.24	4.20	4.17	4.15
95	T.C.	51.6	47.4	43.3	39.6	52.2	48.0	43.8	40.1	52.5	48.3	44.2	40.5
	S.C.	34.2	34.3	34.7	35.1	35.8	36.0	36.4	36.6	37.2	37.3	37.9	37.9
	K.W.	4.58	4.54	4.51	4.47	4.63	4.60	4.56	4.53	4.70	4.66	4.63	4.60
105	T.C.	48.3	44.5	40.5	36.9	48.8	44.8	40.9	37.5	49.0	45.1	41.4	37.9
	S.C.	33.2	33.5	33.9	33.8	34.8	34.9	35.4	35.4	36.3	36.4	37.0	36.9
	K.W.	5.10	5.06	5.02	4.98	5.15	5.12	5.08	5.04	5.22	5.18	5.14	5.11
115	T.C.	45.0	41.2	37.6	34.4	45.3	41.1	38.1	34.9	45.5	42.0	38.4	36.0
	S.C.	32.2	32.2	32.6	32.8	33.8	33.5	34.4	34.3	35.4	35.7	35.7	36.0
	K.W.	5.69	5.65	5.59	5.54	5.75	5.67	5.65	5.60	5.81	5.76	5.72	5.69
125	T.C.	41.7	37.9	34.7	31.9	41.8	37.4	35.3	32.3	42.0	38.9	35.4	34.1
	S.C.	31.2	30.9	31.3	31.8	32.8	32.1	33.4	33.2	34.5	35.0	34.4	35.1
	K.W.	6.28	6.24	6.16	6.10	6.35	6.22	6.22	6.16	6.40	6.34	6.30	6.27

NOTE: ALL CAPACITIES INCLUDE INDOOR FAN HEAT AT 1250 BTUH/1000 CFM.

Multipliers for determining the performance with other indoor sections.

Air Handler	Coil	T.C.	S.C.	KW
N1AHC16	G2FD048(S,H)21	1.01	1.01	1.00
N1AHD20	G2FD060(S,H)24	1.04	1.04	1.00
N1VSC16	G2FD048(S,H)21	1.02	1.02	0.96
N1VSD20	G2FD060(S,H)24	1.05	1.05	0.97
F2FP048		1.00	1.00	1.00
F2FP060		1.02	1.02	1.03
F2FV060		1.05	1.05	0.92
	G1HD048	1.02	1.02	1.01
	G1HD060	1.03	1.03	1.00
	G1NA048S21D	0.98	0.98	0.99
	G1UA048S17	1.00	1.00	1.00
	G1UA048S21	1.00	1.00	1.00
	G1UA060S21,24	1.03	1.03	1.00
	G1FA060S21,24	1.03	1.03	1.00
	G2FD046(S,H)17	0.98	0.98	1.00
	G2FD048(S,H)21,24	1.01	1.01	1.00
	G2FD060(S,H)24	1.04	1.04	1.00
	G1FA048S17	1.00	1.00	1.00

Variable Speed Furnace	Coil	T.C.	S.C.	KW
P1DUB16V	G1FA048S17	1.01	1.01	0.94
P1DUB16V	G1UA048S17	1.01	1.01	0.94
P1DUC20V	G1FA048S21	1.00	1.00	0.98
P1DUC20V	G1FA060S21	1.03	1.03	0.98
P1DUC20V	G1HD048	1.02	1.02	0.99
P1DUC20V	G1UA048S21	1.00	1.00	0.98
P1DUC20V	G1UA060S21	1.03	1.03	0.98
P1DUC20V	G2FD048(S,H)21	1.01	1.01	0.98
P1XDD20V	G2FD048(S,H)24	1.03	1.03	0.95
P1XUC16V	G1FA048S21	1.00	1.00	0.98
P1XUC16V	G1FA060S21	1.03	1.03	0.97
P1XUC16V	G1UA048S21	1.00	1.00	0.98
P1XUC16V	G1UA060S21	1.03	1.03	0.97
P1XUC16V	G2FD048(S,H)21	1.01	1.01	0.97
P1XUC20V	G1FA048S21	1.00	1.00	0.96
P1XUC20V	G1FA060S21	1.03	1.03	0.98
P1XUC20V	G1UA048S21	1.00	1.00	0.96
P1XUC20V	G1UA060S21	1.03	1.03	0.98
P1XUC20V	G2FD048(S,H)21	1.01	1.01	0.95
P1XUD20V	G1FA060S24	1.03	1.03	0.98
P1XUD20V	G1UA060S24	1.03	1.03	0.98
P1XUD20V	G2FD048(S,H)24	1.01	1.01	0.99
P1XUD20V	G2FD060(S,H)24	1.04	1.04	0.99

COOLING PERFORMANCE DATA													
AIR CONDITIONER MODEL NO.		H4DH060S06											
INDOOR COIL MODEL NO.		G1FA060S21,24											
CONDENSER ENTERING AIR TEMPERATURE	ID CFM	1600				1800				2000			
	ID DB	85	80	75	70	85	80	75	70	85	80	75	70
	ID WB	72	67	62	57	72	67	62	57	72	67	62	57
75	T.C.	66.8	61.8	56.9	52.3	67.5	62.5	57.5	52.9	68.0	63.0	58.0	53.6
	S.C.	42.8	43.2	43.9	44.3	44.3	44.7	45.4	45.8	45.7	46.1	46.9	47.7
	K.W.	4.44	4.40	4.35	4.30	4.50	4.46	4.41	4.37	4.56	4.51	4.47	4.42
85	T.C.	64.8	59.9	55.0	50.5	65.3	60.5	55.6	51.3	65.8	60.9	56.0	51.8
	S.C.	42.4	42.8	43.4	43.8	44.0	44.3	45.0	45.6	45.5	45.9	46.6	47.2
	K.W.	4.90	4.86	4.81	4.76	4.97	4.92	4.87	4.82	5.02	4.98	4.93	4.88
95	T.C.	62.7	58.1	53.3	48.9	63.2	58.5	53.7	49.5	63.8	59.0	54.3	50.0
	S.C.	41.9	42.5	42.9	43.3	43.6	43.9	44.6	45.2	45.5	45.8	46.5	46.8
	K.W.	5.43	5.38	5.33	5.28	5.49	5.45	5.40	5.35	5.54	5.50	5.45	5.40
105	T.C.	60.3	55.7	51.1	47.0	60.6	56.1	51.6	47.4	61.0	56.5	52.0	47.8
	S.C.	41.3	41.4	42.1	42.6	42.8	43.1	43.9	44.1	44.5	44.8	45.5	45.7
	K.W.	6.03	5.98	5.93	5.88	6.10	6.05	6.00	5.95	6.15	6.10	6.05	6.00
115	T.C.	57.3	53.0	48.5	44.5	57.6	53.3	49.1	45.1	58.0	53.6	49.5	45.4
	S.C.	40.2	40.4	40.8	41.1	41.7	41.9	42.9	43.0	43.6	43.6	44.5	44.5
	K.W.	6.70	6.64	6.61	6.55	6.76	6.72	6.66	6.61	6.81	6.77	6.72	6.67
125	T.C.	54.3	50.3	45.9	42.0	54.6	50.5	46.6	42.8	55.0	50.7	47.0	43.0
	S.C.	39.1	39.4	39.5	39.6	40.6	40.7	41.9	41.9	42.7	42.4	43.5	43.3
	K.W.	7.37	7.30	7.29	7.22	7.42	7.39	7.32	7.27	7.47	7.44	7.39	7.34

NOTE: ALL CAPACITIES INCLUDE INDOOR FAN HEAT AT 1250 BTUH/1000 CFM.

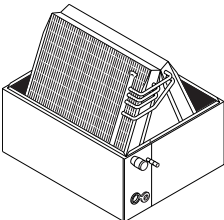
Multipliers for determining the performance with other indoor sections.

Air Handler	Coil	T.C.	S.C.	KW
N1AHD20	G2FD060(S,H)24	1.00	1.00	1.00
N1AHD20	G2FD061H24	1.03	1.03	1.01
N1VSD20	G2FD060(S,H)24	1.01	1.01	0.98
N1VSD20	G2FD061H24	1.03	1.03	0.97
F2FP060		1.01	1.01	1.02
F2FV060		1.01	1.01	0.95
	G2FD061H24	1.03	1.03	1.01
	G1HD060	1.01	1.01	1.00
	G1UA060S21,24	1.00	1.00	1.00
	G2FD060(S,H)24	1.00	1.00	1.00

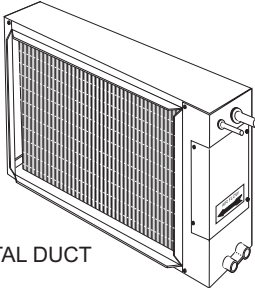
Variable Speed Furnace	Coil	T.C.	S.C.	KW
P1DUC20V	G1FA060S21	1.01	1.01	1.00
P1DUC20V	G1HD060	1.01	1.01	0.97
P1XDD20V	G2FD060(S,H)24	1.00	1.00	1.00
P1XUC20V	G1FA060S21	1.01	1.01	1.00
P1XUC20V	G1UA060S21	1.01	1.01	1.00
P1XUD20V	G1FA060S24	1.01	1.01	1.00
P1XUD20V	G1UA060S24	1.01	1.01	1.00
P1XUD20V	G2FD060(S,H)24	1.01	1.01	1.00
P1XUD20V	G2FD061H24	1.03	1.03	0.99
P1DUC20V	G1UA060S21	1.01	1.01	1.00

MATCHING INDOOR COMPONENTS

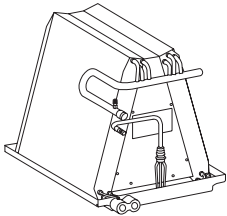
ADD-ON COILS - FOR FURNACE APPLICATIONS



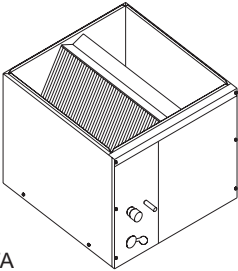
G1UA
1/2 CASED
UPFLOW



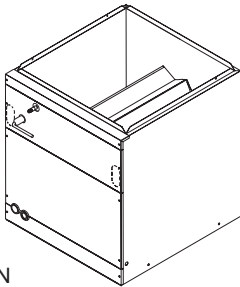
G1HD
HORIZONTAL DUCT



G1NA
UNCASED
UPFLOW



G1FA
FULL CASED
UPFLOW

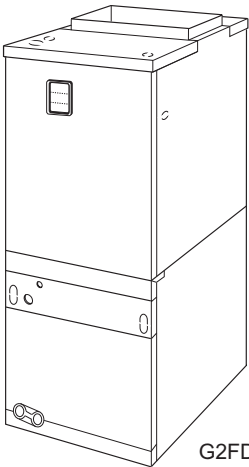


G2FD*
MULTI-POSITION
(UPFLOW, HORIZONTAL
AND DOWNFLOW)

* Available with factory installed horizontal drain pan.

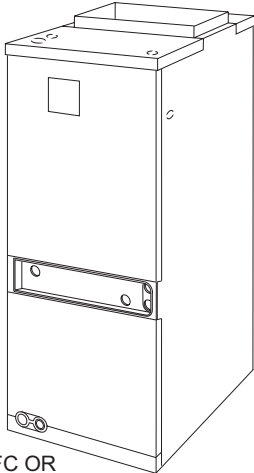
AIR HANDLERS - FOR NON-FURNACE APPLICATIONS

N1AH OR N1VS
MODULAR BLOWER
(UPFLOW, HORIZONTAL
AND DOWNFLOW)



G2FD
COIL

F2RC / F2FC OR
F2RC / F2FP / F2FV
FAN COIL UNITS
(UPFLOW, HORIZONTAL)



NOTES

Subject to change without notice. Printed in U.S.A.
Copyright © by York International Corp. 2003. All rights reserved.

036-21020-003 Rev. C (0203)
Supersedes: 036-21020-003 Rev. B (0702)

**Unitary
Product
Group**

**5005
York
Drive**

**Norman
OK
73069**